

Product Specification

TCXO

Model	WTL2TG2600001
Size	2520
Frequency	26.000000MHz
Type	TCXO
Vcc	+1.7V ~ +3.3V
Vcont	-
AFC Range	-
Temp.	±0.5ppm max.@-30 ~ +85℃
Slope	±0.1ppm/℃ max.@-20 ~ +70℃ ±0.2ppm/℃ max.@-30 ~ -20℃, ±0.2ppm/℃ max.@+70 ~ +85℃
Initial Frequency	±1.0ppm max.

Issued	2015.06.25
Revised	
Customer	
Prepared part	R&D
Drawn	BaiCuiLi
Checked	Jin Zhe
Approved	Liu GuoQiang

1. Electrical Characteristics

Supply Voltage(Vcc)	+1.8V±5%
	+2.4V±5%
	+2.8V±5%
	+3.0V±5%
Output Load	10kohm//10pF±10%
Control Voltage(Vcont)	-

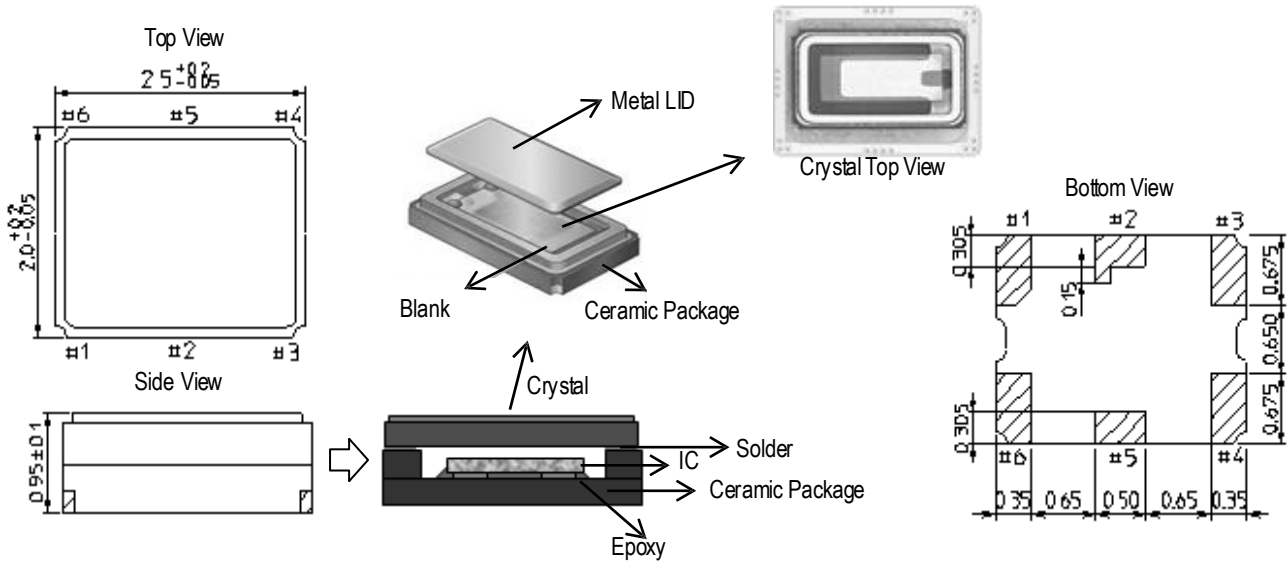
Parameter	Value	Conditions
Output Level	0.8Vp-p min	Clipped sine wave(DC-coupled)
Current	1.5mA max	10koms//10pF±10%
Operating Temperature Range	-30~+85℃	
Storage Temperature Range	-40~+85℃	
Frequency Stability		
vs. Temperature(-30 ~ +85℃)	±0.5ppm max.	Referenced to +25℃ frequency
vs. Supply Voltage	±0.2ppm max.	+1.8V±5% , +2.4V±5% , +2.8V±5% , +3.0V±5%
vs. Load	±0.2ppm max.	10koms//10pF±10% each
vs. Aging	±1.0ppm max.	1Year
vs. Reflow soldering	±1.0ppm max.	2times
Frequency Stability Slope		
vs. Temperature(-20 ~ +70℃)	±0.1ppm/℃ max.	Every +2℃
vs. Temperature(-30 ~ -20℃)	±0.2ppm/℃ max.	
vs. Temperature(+70 ~ +85℃)	±0.2ppm/℃ max.	
Initial Frequency Tolerance	±1.0ppm max.	+25℃
Startup Time	2ms max.	more than 90% of final amplitude
Voltage Control Range	-	-
Phase Noise	-92dBc/Hz typ. -116dBc/Hz typ. -137dBc/Hz typ. -144dBc/Hz typ. -144dBc/Hz typ.	10Hz offset 100Hz offset 1KHz offset 10KHz offset 100KHz offset

Notes:

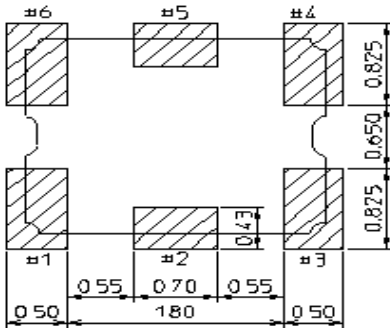
- Please leave after reflow in 2h or more at room ambient

2. Outline Specification

Unit: mm

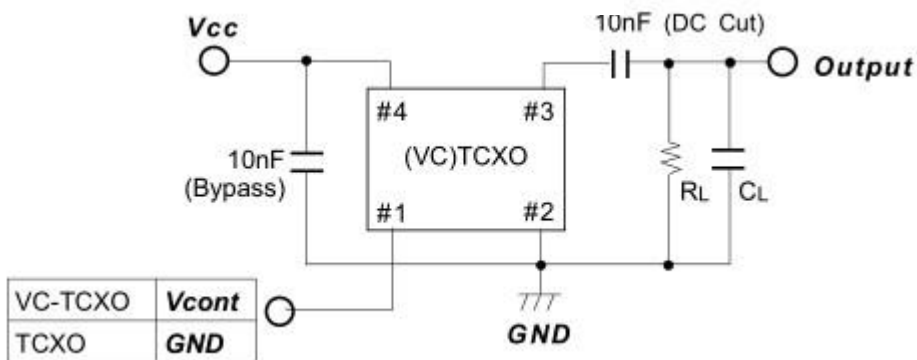


Recommended Land Pattern



Pad No.	Connection	
	TCXO	VC-TCXO
#1	GND	Vcont
#3	GND	GND
#4	Output	Output
#6	Vcc	Vcc
#2,#5	N.C.	N.C.

Measurement Circuit



Notes:

- Please connect a bypass capacitor closely to Vcc Pad.
- Load capacitance (CL) includes probe and test board capacitance.

3. Marking Specification



●Mark-1: YA0* *
 ① ②~③ ④~⑤

●Mark-2: 26AB* * *
 ①~③ ④ ⑤~⑦

Mark-1 (X-TAL Marking)		
Digit order	Symbol	Explanation
1	Y	Serial Number
2~3	A0	Frequency
4~5	**	Production Week
Mark-2 (TCXO Marking)		
Digit order	Symbol	Explanation
1~3	26A	Frequency
4	B	Serial Number(A~Z)
5~7	***	Production Year + Month + Day

X-TAL Frequency:A0					
Symbol	Frequency [MHz]	Symbol	Frequency [MHz]	Symbol	Frequency [MHz]
A0	26.000000	E0	16.367000	I0	24.576000
B0	19.200000	F0	16.384000	J0	20.480000
C0	40.000000	G0	27.456000		
D0	16.368000	H0	38.400000		
TCXO Frequency:26A					
Symbol	Frequency [MHz]	Symbol	Frequency [MHz]	Symbol	Frequency [MHz]
16B	16.367667	13A	13.000000	40A	40.000000
16C	16.367000	19B	19.200000	38B	38.400000
16D	16.367600	26A	26.000000		
16E	16.368000	32A	32.000000		
16F	16.369000	32B	32.768000		