

Product Specification

TCXO

Model	WTL3TN2600001
Size	3225
Frequency	26.000000MHz
Type	TCXO
Vcc	+1.7V ~ +3.3V
Vcont	-
AFC Range	-
Temp.	±2.0ppm max.@-30 ~ +85°C
Slope	±0.2ppm/°C max.@-20 ~ +70°C
Initial Frequency	±1.0ppm max.

Issued	2016.03.02
Revised	
Customer	
Prepared part	R&D
Drawn	BaiCuiLi
Checked	Jin Zhe
Approved	Liu GuoQiang

1. Electrical Characteristics

Supply Voltage(Vcc)	+1.8V±5%
	+2.4V±5%
	+2.8V±5%
	+3.0V±5%
Output Load	10kohm//10pF±10%
Control Voltage(Vcont)	-

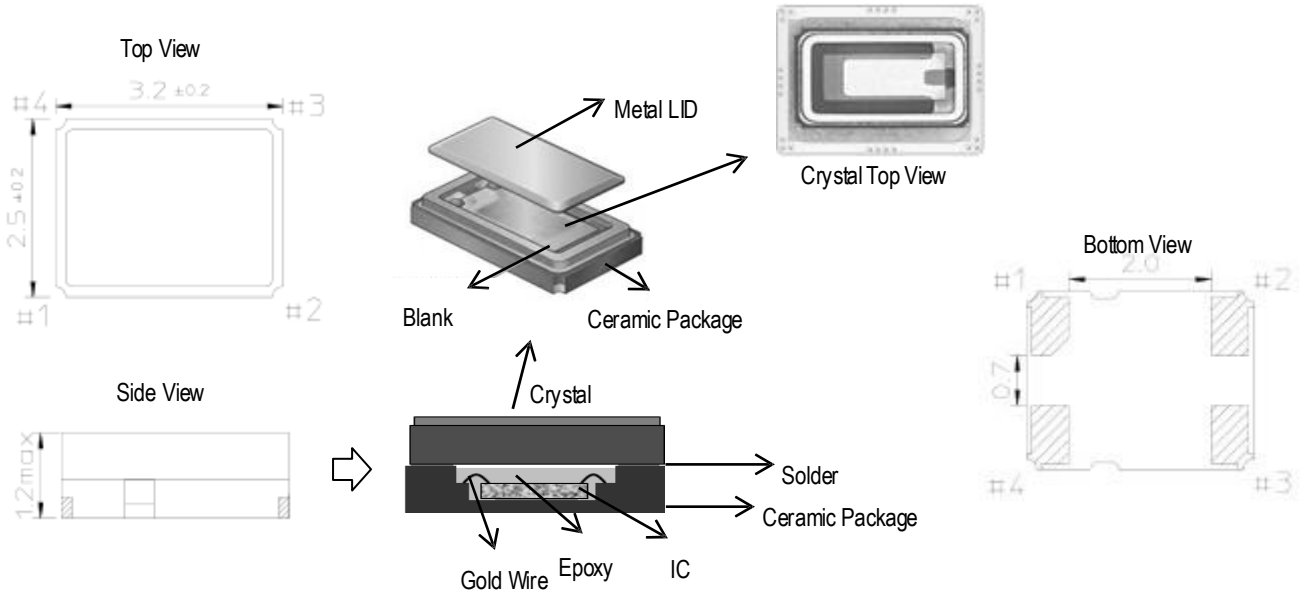
Parameter	Value	Conditions
Output Level	0.8Vp-p min	Clipped sine wave(DC-coupled)
Current	1.5mA max	10koms//10pF±10%
Operating Temperature Range	-30~+85°C	
Storage Temperature Range	-40~+85°C	
Frequency Stability		
vs. Temperature(-30 ~ +85°C)	±2.0ppm max.	Referenced to +25°C frequency
vs. Supply Voltage	±0.2ppm max.	+1.8V±5% , +2.4V±5% , +2.8V±5% , +3.0V±5%
vs. Load	±0.2ppm max.	10koms//10pF±10% each
vs. Aging	±1.0ppm max.	1Year
vs. Reflow soldering	±1.0ppm max.	2times
Frequency Stability Slope		
vs. Temperature(-20 ~ +70°C)	±0.2ppm/°C max.	Every +2°C
Initial Frequency Tolerance	±1.0ppm max.	+25°C
Startup Time	2ms max.	more than 90% of final amplitude
Voltage Control Range	-	-
Phase Noise	-89dBc/Hz typ. -115dBc/Hz typ. -137dBc/Hz typ. -145dBc/Hz typ. -144dBc/Hz typ.	10Hz offset 100Hz offset 1KHz offset 10KHz offset 100KHz offset

Notes:

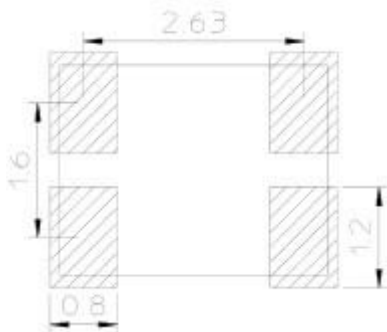
- Please leave after reflow in 2h or more at room ambient

2. Outline Specification

Unit: mm

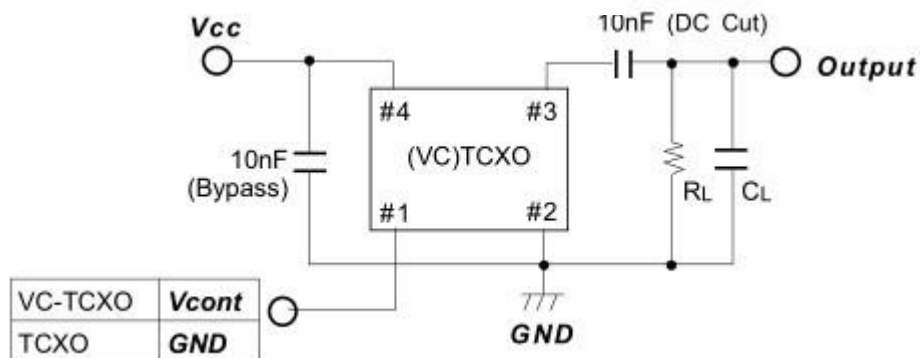


Recommended Land Pattern



Pad No.	Connection	
	TCXO	VC-TCXO
#1	GND	Vcont
#2	GND	GND
#3	Output	Output
#4	Vcc	Vcc

Measurement Circuit



Notes:

- Please connect a bypass capacitor closely to Vcc Pad.
- Load capacitance (CL) includes probe and test board capacitance.