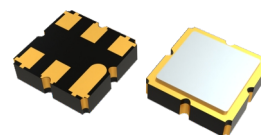


## 3.0x3.0 mm SMD SAW Resonator

### Feature

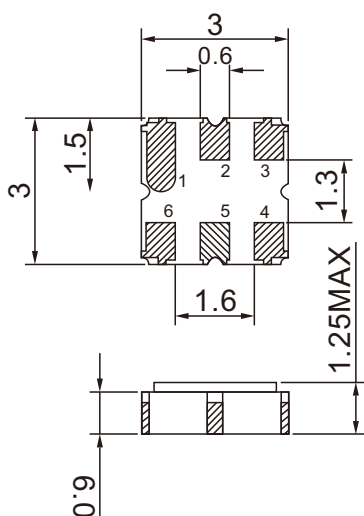
- Small size 3.0x3.0x1.3mm
- Welding can be done with automatic mounting
- Environmental resistance, including high temperature resistance and impact resistance
- RoHS Compliant



### Electrical Specifications

Item		Minimum	Typical	Maximum	Unit	
Frequency Range	$f_c$	154~1000MHz			MHz	
Standard Frequency		315,330, 370,433.92,868,915			MHz	
Frequency Tolerance(at 25°C)	$\Delta f_c$	$\pm 50, \pm 75, \pm 150$ or specify			KHz	
Insertion Loss (in 50ohm system, min)	IL	1.0,1.3,1.4, 1.5 or specify			dB	
Temperature Stability	Turnover Temperature	$T_0$	25	40	55	°C
	Turnover Frequency	$f_0$		$f_c$		
	Frequency Temperature Coefficient	FTC		0.032		ppm/°C
Frequency Aging	Absolute Value during the First Year	$ f_A $		$\leq 10$		ppm/yr
DC Insulation Resistance between Any Two Pins			1.0			MΩ
Operating Temperature Range			-40~+85		°C	
Storage Temperature Range			-55~+125		°C	

### Dimension(mm)



Pin No.	Description
2	Input/Output
5	Output/Input
1,3,4,6	Case Ground